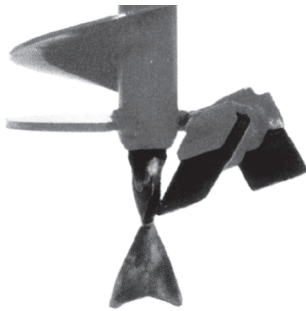




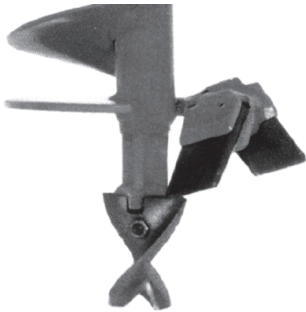
GROUND HOG EARTH DRILLS GROUND HOG, C-71-5 I/C, less auger

Engine	Item#	Price
5.5 HP Briggs & Stratton I/C	63300	
5.5 HP Honda	63299	



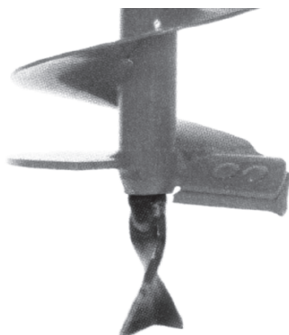
GROUND HOG, COMBO AUGERS Works best in HARD, COMPACT soils

Description	Item#	Size	Price
Combo (CSD6)	63301	6"	
Combo (CSD8)	63302	8"	
Combo (CSD9)	63303	9"	
Combo (CSD10)	63304	10"	
Combo (CSD12)	63305	12"	



GROUND HOG, PENGOS AUGERS For use in HARD, DRY, COMPACT soils

Pengo (PSD4)	63306	4"
Pengo (PSD6)	63307	6"
Pengo (PSD7)	63308	7"
Pengo (PSD8)	63309	8"
Pengo (PSD9)	63310	9"
Pengo (PSD10)	63311	10"
Pengo (PSD12)	63312	12"

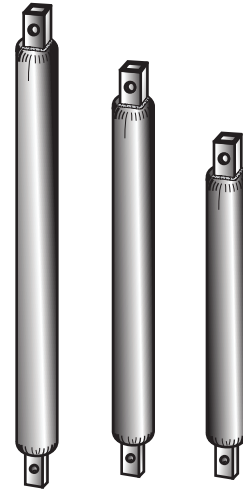


GROUND HOG, STANDARD AUGERS Works best in LOOSE AND MOIST soils

Standard (SD2)	63313	2" Auger
Standard (SD4)	63314	4" Auger
Standard (SD6)	63315	6" Auger
Standard (SD7)	63316	7" Auger
Standard (SD8)	63317	8" Auger
Standard (SD9)	63318	9" Auger
Standard (SD10)	63319	10" Auger

GROUND HOG, EXTENSION SHAFTS

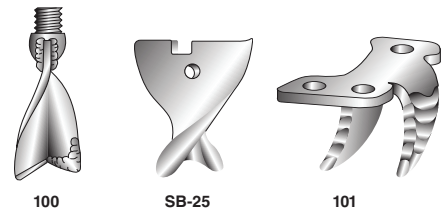
Description	Item#	Price
EX1, 1 foot extension shaft	63321	
EX2, 2 foot extension shaft	63322	
EX3, 3 foot extension shaft	63323	
Clevis pin with clip	63325	



GROUND HOG, CUTTING BLADES & PILOTS

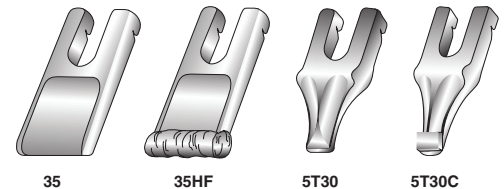
PILOT BLADES

100 pilot, use on SD & CSD augers	63326
SB-25 pilot, use on PSD 2", 6"-12"	63335
SB-45 pilot, use on PSD 4"	63336
101 chipper, use on SD 6"-12"	63332



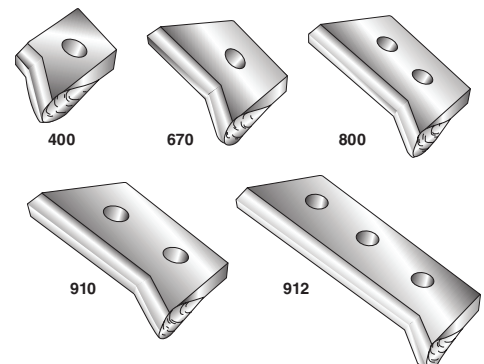
PENGO BLADES (INCLUDES RUBBER LOCK)

35 Pengo wisdom tooth	63333
35HF Pengo wisdom tooth (hard faced)	63334
5T30 Pengo super tooth	63331
5T30C Pengo carbide tooth	63331-10

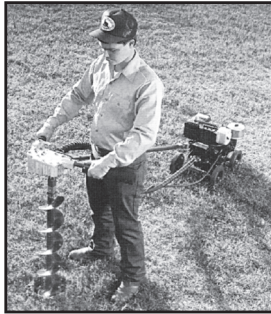


STANDARD BLADES

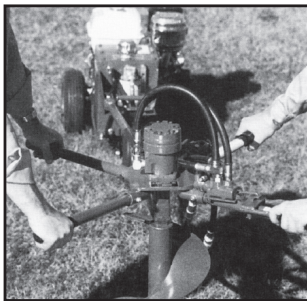
400 blade, use on SD 4"	63327
670 blade, use on SD 6", 7"	63328
800 blade, use on SD 8"	63329
910 blade, use on SD 9", 10"	63330
912 blade, use on SD 12"	63330-10



LITTLE BEAVER POWER UNITS



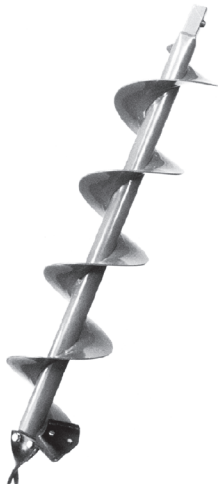
Model/Engine		Item#	Price
MECHANICAL EARTH DRILLS			
MDL-8B	with 8 HP B&S Intek Pro w/10" wheels (#203432)	63116	
MDL-8H	with 8 HP Honda w/10" wheels (#GX-240)	63112	
	Optional 10" pneumatic wheels to 5B & 5H	63053	
	Optional Roll Cage (requires 10" wheels)	63112-05	
	Optional Roll Cage for 5 HP Honda only	63112-10	
MDL-5B	with 5 HP B&S Intek Pro (#128332)	63111	
MDL-5H	with 5.5 HP Honda (#GX-160)	63110	



HYDRAULIC EARTH DRILLS

HYD-TB11H	Hydraulic Towerable Drill, 11 HP Honda (#GX-340)	63117	
	11 HP B&S Power Source w/ 1 Man Handle Attachment	63118	
	11 HP B&S Power Source w/ 2 Man Handle Attachment	63119	
	11 HP Honda Power Source w/ 1 Man Handle Attachment	63120	
	11 HP Honda Power Source w/ 2 Man Handle Attachment	63120-10	
HYD-AH60	Anchor handle attachment	63121	
HYD-2MHNPT	Optional 2 Man Handle for Remote Drilling	63122	

SNAP ON AUGERS



Size	Item#	Price	Size	Item#	Price
3" x 36"	63124		1 1/2" x 42"	63135	
4" x 36"	63126		2" x 42"	63136	
5" x 36"	63127		3" x 42"	63137	
6" x 36"	63128		4" x 42"	63138	
7" x 36"	63129		5" x 42"	63139	
8" x 36"	63130		6" x 42"	63140	
9" x 36"	63131		7" x 42"	63141	
10" x 36"	63132		8" x 42"	63142	
12" x 36"	63133		9" x 42"	63143	
14" x 36"	63134		10" x 42"	63144	
			12" x 42"	63145	

• Call for Quotation

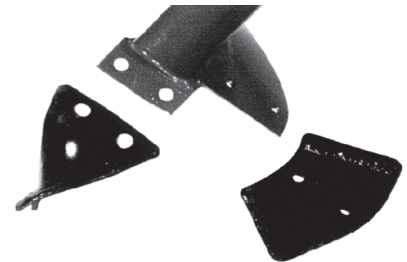
SNAP ON EXTENSIONS

Description	Item#	Price
3" x 36"	63146	
4" x 36"	63147	
5" x 36"	63148	
6" x 36"	63149	
7" x 36"	63150	
8" x 36"	63151	
9" x 36"	63152	
10" x 36"	63153	
12" x 36"	63154	
18" Tube Extension	63155	
36" Tube Extension	63156	



REPLACEMENT POINTS & BLADES

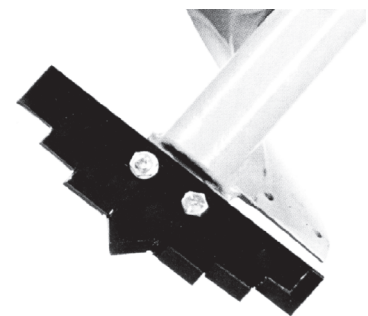
Screw on point for 1 1/2" augers	63157
Screw on point for 2" augers	63158
Screw on point for 3" augers	63159
Point fits	
4", 5", 6", 7", 8", 9", 10", 12" augers	63160
Screw on point for 16" auger only	63161
4" and 5" blade	63162
6" and 7" blade	63163
8" blade	63164
9" and 10" blade	63165
12" blade	63166



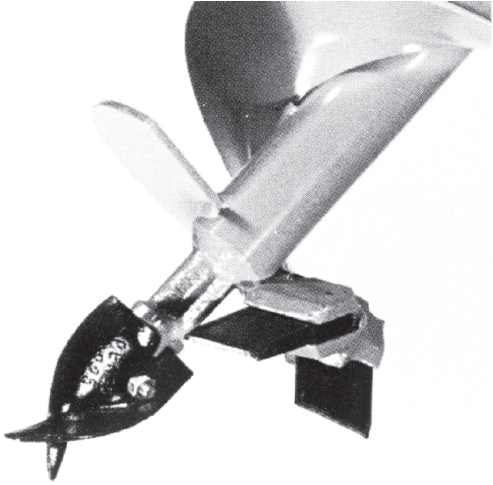
CARBIDE BLADES — For Snap-on Augers

1 1/2", 2", & 3" blades are screw-on & fit snap-on augers only.

1 1/2" carbide blade	63168
2" carbide blade	63169
3" carbide blade	63170
4" carbide blade	63171
5" carbide blade	63172
6" carbide blade	63173
7" carbide blade	63174
8" carbide blade	63175
9" carbide blade	63176



4" thru 14" include mounting bolts & lock nuts. • Call for Quotation



PENGO AUGERS

Size	Item#	Price
6" x 36"	63177	
6" x 42"	63178	
7" x 36"	63179	
7" x 42"	63180	
8" x 36"	63181	
8" x 42"	63182	
9" x 36"	63183	
9" x 42"	63184	
10" x 36"	63185	
10" x 42"	63186	
12" x 36"	63187	
12" x 42"	63189	

NOT ALL SIZES IN STOCK

— Pengo Points & Blades are standard on all Pengo Augers —
— Blades include Rubber Locks —



SCREW-ON

AUGERS & EXTENSIONS

Available:

— 1 1/2" to 3" Hex Auger Extensions —
— Hex Points, and —
— Hex Auger Adaptors —

• Call for Quotation