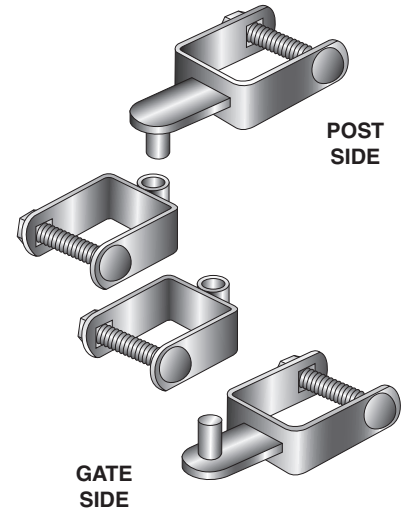


### CLAMP-ON HINGE

Kit#	Item#	Post Size	Gate Frame Size	Qty. Per Sack	PRICE EACH	
					Less Sack	Sack
A1	91000	1"	1"	25		
A2	91001	1 1/2"	1"	25		
A3	91002	2"	1"	25		
A4	91003	2 1/2"	1"	25		
A5	91004	1 1/2"	1 1/2"	25		
A6	91005	2"	1 1/2"	25		
A7	91006	2 1/2"	1 1/2"	25		
A8	91007	2"	2"	25		
A9	91008	2 1/2"	2"	25		

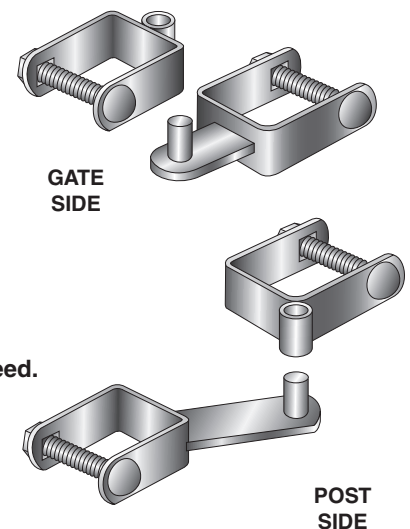
- Requires 2" spacing between hinge post and gate frame.

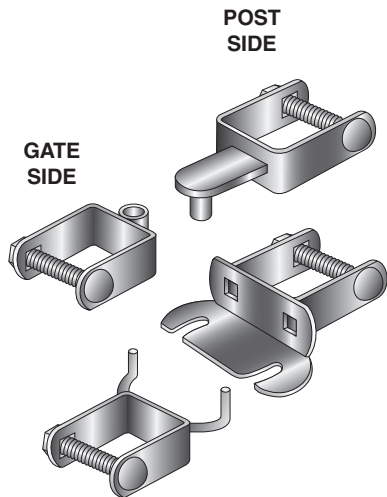


### ONE WAY AUTO CLOSING HINGE — GRAVITY

B1	91010	1"	1"	25
B2	91011	1 1/2"	1"	25
B3	91012	2"	1"	25
B4	91013	2 1/2"	1"	25
B5	91014	1 1/2"	1 1/2"	25
B6	91015	2"	1 1/2"	25
B7	91016	2 1/2"	1 1/2"	25
B8	91017	2"	2"	25
B9	91018	2 1/2"	2"	25

- To change direction that gate opens invert offset gate hinge so that pin points down invert upper post hinge so that pin points up.
- To adjust closing speed — position hinges further apart for slower closing speed.
- Requires 2" spacing between hinge post and gate frame.

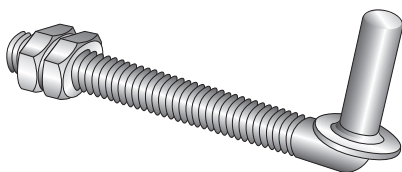




### TWO WAY AUTO CLOSING GATE HINGE — GRAVITY

Kit#	Item#	Post Size	Gate Frame Size	Qty. Per Sack	PRICE EACH	
					Less Sack	Sack
C1	91020	1"	1"	25		
C2	91021	1 1/2"	1"	25		
C3	91022	2"	1"	25		
C4	91023	2 1/2"	1"	25		
C5	91024	1 1/2"	1 1/2"	25		
C6	91025	2"	1 1/2"	25		
C7	91026	2 1/2"	1 1/2"	25		
C8	91027	2"	2"	25		
C9	91028	2 1/2"	2"	25		

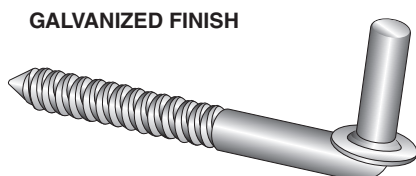
- Requires 3" spacing between hinge post and gate frame.



GALVANIZED FINISH

### HINGE HANGER BOLT

Item#	Size	Qty. Per Sack	PRICE EACH	
			Less Sack	Sack
12801	1/2" x 4 1/2"	250		
12802	1/2" x 6"	250		
12803	5/8" x 4 1/2"	125		
12804	5/8" x 6"	100		
12805	5/8" x 8"	100		
12806	5/8" x 10"	100		
12807	5/8" x 12"	100		



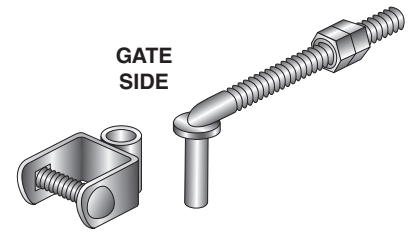
GALVANIZED FINISH

### HINGE HANGER BOLT, LAG THREAD

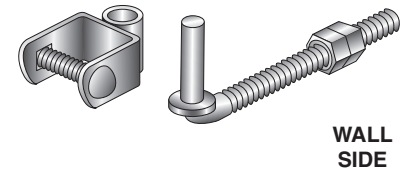
12821	1/2" x 4 1/2"	250
12822	1/2" x 6"	125
12823	5/8" x 4 1/2"	125
12824	5/8" x 6"	125

## CLAMP-ON ADJUSTABLE HINGE FOR DRILLED POST

Kit#	Item#	Pin Size	Gate Frame Size	Qty. Per Sack	PRICE EACH	
					Less Sack	Sack
D1	91030	1/2"	1"	25		
D2	91031	1/2"	1 1/2"	25		
D3	91032	5/8"	1"	25		
D4	91033	5/8"	1 1/2"	25		
D5	91034	5/8"	2"	25		

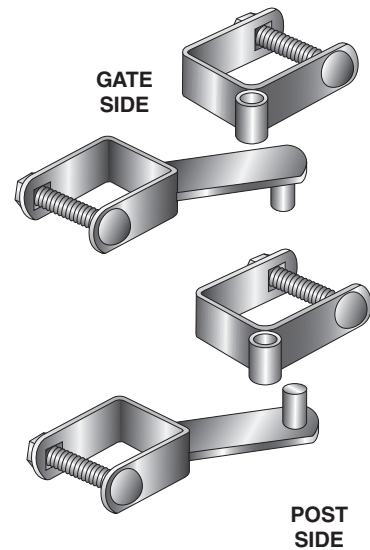


- Minimum clearance 1 1/2" maximum 3" between post and gate depending on size of post.



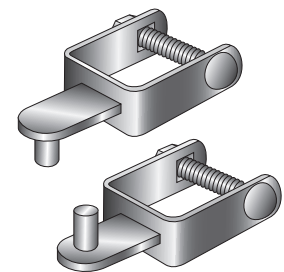
## 180 DEGREE CLAMP-ON HINGE

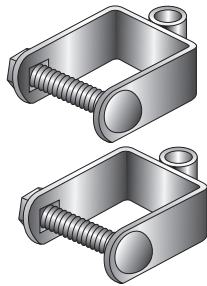
Kit#	Item#	Pin Size	Post Size		Qty. Per Sack
			Pin	Post	
E1	91040	1"	1"	1"	25
E2	91041	1 1/2"	1 1/2"	1"	25
E3	91042	2"	2"	1"	25
E4	91043	2 1/2"	2 1/2"	1"	25
E5	91044	1 1/2"	1 1/2"	1 1/2"	25
E6	91045	2"	2"	1 1/2"	25
E7	91046	2 1/2"	2 1/2"	1 1/2"	25
E8	91047	2"	2"	2"	25
B9	91048	2 1/2"	2 1/2"	2"	25



## CLAMP-ON POST HINGE

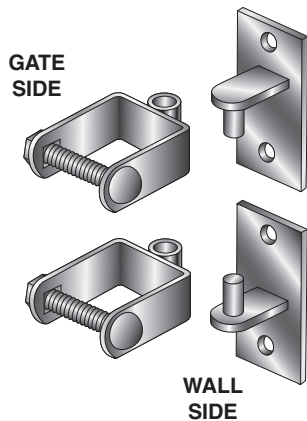
Kit#	Item#	Pin Size	x	Gate Size	Qty. Per Sack	PRICE EACH	
						Less Sack	Sack
F1	91050	1/2"	x	1"	25		
F2	91051	1/2"	x	1 1/2"	25		
F3	91052	5/8"	x	1 1/2"	25		
F4	91053	1/2"	x	2"	25		
F5	91054	5/8"	x	2"	25		
F6	91055	1/2"	x	2 1/2"	25		
F7	91056	5/8"	x	2 1/2"	25		





### CLAMP-ON GATE HINGE

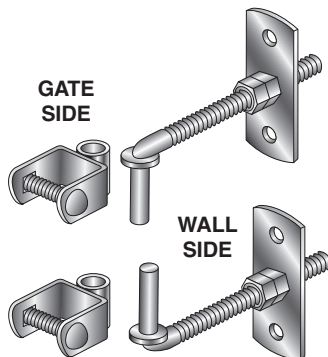
Kit#	Item#	Pin Size	Gate x	Qty. Per Frame Size	Sack	PRICE EACH	
						Less Sack	Sack
J1	91080	1/2"	x	1"	25		
J2	91081	5/8"	x	1"	25		
J3	91082	1/2"	x	1 1/2"	25		
J4	91083	5/8"	x	1 1/2"	25		
J5	91084	1/2"	x	2"	25		
J6	91085	5/8"	x	2"	25		



### CLAMP-ON NON-ADJUSTABLE HINGE

G1	91060	1/2"	x	1"	25		
G2	91061	5/8"	x	1"	25		
G3	91062	1/2"	x	1 1/2"	25		
G4	91063	5/8"	x	1 1/2"	25		
G5	91064	1/2"	x	2"	25		
G6	91065	5/8"	x	2"	25		

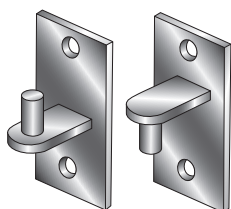
- For use on Flat Wall or Wood Post.
- Requires 2" clearance between mounting surface and gate frame.



### CLAMP-ON ADJUSTABLE HINGE

H1	91070	1/2"	x	1"	25		
H2	91071	1/2"	x	1 1/2"	25		
H3	91072	1/2"	x	2"	25		

- Minimum clearance 1 1/2" maximum 3" between mounting surface and gate frame.

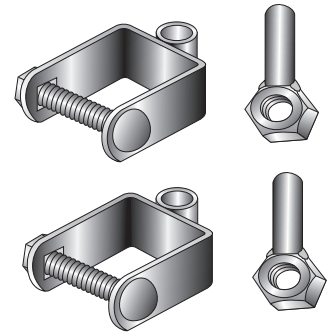


### FLAT-WALL HINGE

Kit#	Item#	Pin Size	Qty. Per Sack	PRICE EACH	
				Less Sack	Sack
H4	91073	1/2"	25		
H5	91074	5/8"	25		

## CLAMP-ON GATE HINGE

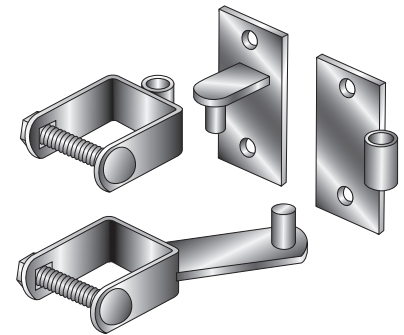
Kit#	Item#	Pin Size	Gate x	Qty. Per Frame Size	Sack	PRICE EACH	
						Less Sack	Sack
K1	91090	1/2"	x	1"	25		
K2	91091	5/8"	x	1"	25		
K3	91092	1/2"	x	1 1/2"	25		
K4	91093	5/8"	x	1 1/2"	25		
K5	91094	1/2"	x	2"	25		
K6	91095	5/8"	x	2"	25		



- Used with threaded stud already in wall. Specify nut size 1/2" or 5/8"

## FLAT-WALL ONE WAY AUTO CLOSING HINGE — GRAVITY

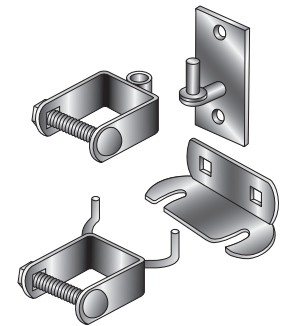
KIT#	Item#	Gate Frame Size	Qty. Per Sack	PRICE EACH	
				Less Sack	Sack
L1	91100	1"	25		
L2	91101	1 1/2"	25		



- To change direction that gate opens invert offset gate hinge so that pin points down invert upper post hinge so that pin points up.
- To adjust closing speed — position hinge further apart for slower closing speed.
- Requires 2" spacing between hinge post and gate frame.

## FLAT-WALL TWO WAY AUTO CLOSING HINGE — GRAVITY

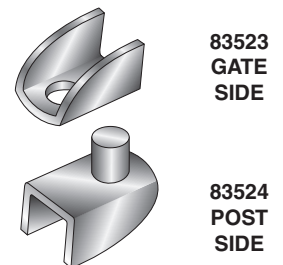
L3	91102	1"	25
L4	91103	1 1/2"	25



- Requires 3" spacing between hinge post and gate frame.
- Adjust speed same as L1 hinges.

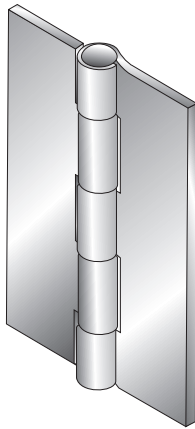
## BATWINGS

Item#	Hinge Clearance	Qty. Per Sack	PRICE EACH	
			Less Sack	Sack
83523	Gate Side	2"	100	
83524	Gate Side	2"	100	



- May be used as a hinge system or in conjunction with hinge bolts or gate hinges.

8530 UNSWORTH AVE. SACRAMENTO, CA 95828-1009 1-916-381-4065	13111 DAHLIA ST. FONTANA, CA 92337-6902 1-909-350-9040	8937 SAN FERNANDO RD. SUN VALLEY, CA 91352-1410 1-818-504-3700	1265 N. CUYAMACA ST. EL CAJON, CA 92020-1549 1-619-449-0333	10010 PORTLAND AVE. TACOMA, WA 98445-3956 1-253-535-5500
---	--	--	---	--



All hinges on this page are priced per pair.

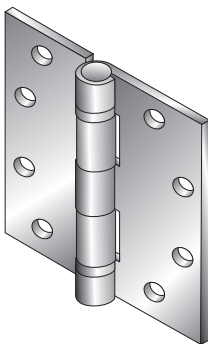
### BLANK BUTT HINGE — UNPAINTED

Item#	Size	Hinge Clearance	0 - 49 Pair	50 - 99 Pair	100 + Pair
83356	2 1/4" x 3 1/2"	1/4"			
83357	3" x 3" Hvy	1/2"			
83360	4" x 4" Hvy	3/4"			
83358	5" x 5" Hvy	3/4"			
83361	6" x 6" Hvy	1"			

- Non removable pin — riveted top and bottom.

### BLANK BUTT HINGE — HOT DIP GALVANIZED (BRASS PIN)

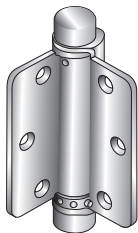
83360-30	4 1/2" x 4"	3/8"
----------	-------------	------



### BALL BEARING BUTT HINGE

83360-20	4 1/2" x 4"	3/8"	Regular
83360-25	4 1/2" x 4 1/2"	7/16"	Heavy
83360-10	4 1/2" x 4"	3/8"	Regular Stainless Steel
83360-15	4 1/2" x 4 1/2"	7/16"	Heavy Stainless Steel

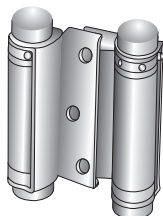
- Regular Hinges have 2 sets Ball Bearing.
- Heavy Hinges have 4 sets Ball Bearing.



### SELF-CLOSING BUTT HINGE

83359	3 1/2" x 3 1/2"	1/4"
-------	-----------------	------

- Adjustable tension for closing speed.



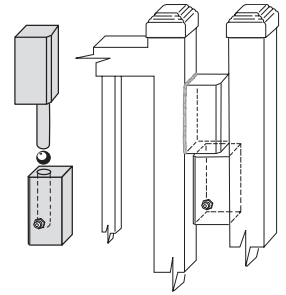
### DUAL ACTION BUTT HINGE

83344	3" x 3" Hvy	1/4"
-------	-------------	------

- Two way self-closing.
- Tension adjustable both ways.
- Fits 1" gate frames only.

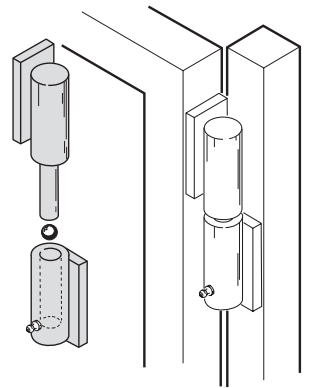
## SQUARE TYPE — BALL BEARING HINGE

Item#	Qty. Per Sack	Maximum Gate Wt.	Hinge Height	Pin Size	Hinge Clearance	PRICE / PAIR Less Sack	Sack
83390 Small	5 pr.	400 lbs.	4"	1/2"	1 3/8"		
83391 Regular	5 pr.	600 lbs.	6"	5/8"	2"		
83392 Heavy	5 pr.	1,200 lbs.	8"	3/4"	2 1/2"		



## BARREL TYPE — BALL BEARING HINGE

83353 Regular	5 pr.	1,200 lbs.	7"	3/4"	2"		
83351 Heavy	5 pr.	3,000 lbs.	7"	1 1/4"	3 3/4"		



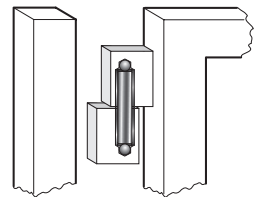
## SQUARE TYPE & BARREL TYPE BALL BEARING HINGES, — SPECIFICATIONS

- Stainless Steel Pin
- Heavy duty construction, for residential, commercial, and industrial uses.
- Grease fittings.
- Weld hinge to post and gate.

## POWER HINGE — BALL BEARING HINGE

29142 Heavy	5 pr.	3,000 lbs.	6-1/8"	3/4"	3"		
-------------	-------	------------	--------	------	----	--	--

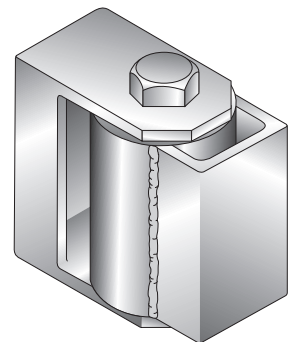
- Stainless Steel Pin, in bronze bushing, two ball bearings.
- Heavy duty for high traffic commercial swing gate applications.
- Super quiet / maintenance free / self lubricating / no grease fittings.
- Weld hinge to post and gate.

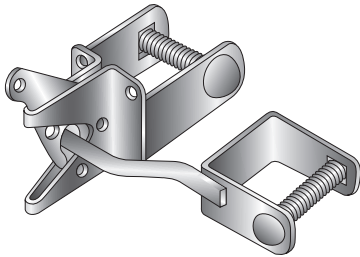


## ROLLER BEARING HINGE

Item#	Qty. Per Sack	Maximum Gate Wt.	Hinge Clearance	PRICE / PAIR Less Sack	Sack
83354 Heavy	5 pr.	1,700 lbs.	4 1/4"		

- Extra heavy duty construction, for use on unusually heavy gate applications.
- Weld hinge to post and gate.
- Sealed bearing.

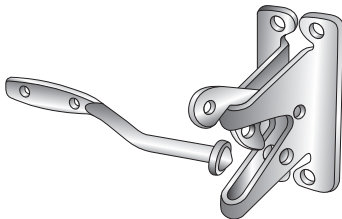




### CLAMP-ON STRIKER — BAR LATCH

Kit#	Item#	Post Size	Gate Frame Size	Qty. Per Sack	PRICE EACH Less Sack	Sack
M1	91110	1"	1"	25		
M2	91111	1 1/2"	1"	25		
M3	91112	2"	1"	25		
M4	91113	2 1/2"	1"	25		
M5	91114	1 1/2"	1 1/2"	25		
M6	91115	2"	1 1/2"	25		
M7	91116	2 1/2"	1 1/2"	25		

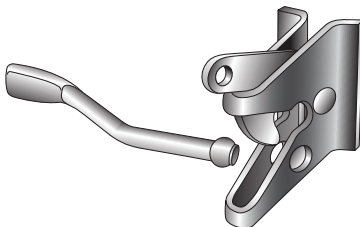
- For 2 1/2" Post Size — Specify right or left hung. All kits require 2" clearance.



### UNIVERSAL GATE LATCH

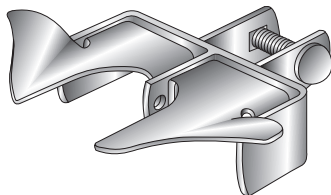
Item#	Box Qty.	PRICE EACH Less Box	Box
16222	20		

Weld-on or bolt on



### WELD-ON LATCH Unpainted

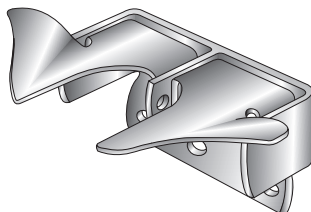
Item#	Box Qty.	PRICE EACH Less Box	Box
16198	20		



### CLAMP-ON BUTTERFLY LATCH — CLAMPS TO POST

Item#	Post Size	x	Gate Frame Size	Qty. Per Sack	PRICE EACH Less Sack	Sack
83060	1"	x	1" or 1 1/2"	25		
83061	1 1/2"	x	1" or 1 1/2"	25		
83062	2"	x	1" or 1 1/2"	25		
83063	2 1/2"	x	1" or 1 1/2"	25		

- Weld latch to 1" or 1 1/2" gate frame only. Requires 2" clearance.



### BUTTERFLY LATCH FLATWALL / WOOD POST

Item#	Gate Frame Size	Qty. Per Sack	PRICE EACH Less Sack	Sack
83140	1" or 1 1/2"	25		

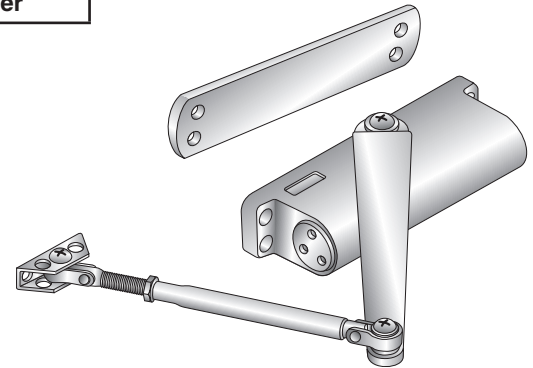
- Latch to 1" or 1 1/2" gate frame only. Requires 2" clearance.
- Weld on or bolt on installation.



### HYDRAULIC CLOSERS

Item#	Model	1 unit	PRICE	
			1 unit	6 & over
83156	1802-AL Closer			
83157	1803-AL Closer			
83158	1805-AL Closer			
83186	537-AL Plate for 1802-AL & 1803-AL			
83187	547 Plate for 1805-AL			

OPTIONAL MOUNTING PLATE

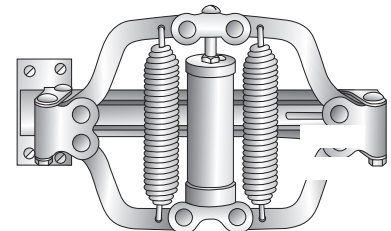


- Right or Left hand mount
- Fully adjustable closing speed
- Available from standard to heavy duty

### HYDRAULIC GATE OR DOOR CLOSER

83190 Kant-Slam  
Cover included

- For gates and doors of all kinds, steel or wood
- Installed on side, top, middle or bottom or Right or Left-hand gates / doors
- Self-contained, quiet, efficient and versatile

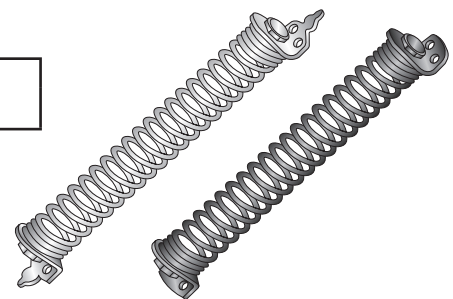


PICTURE SHOWN WITHOUT COVER

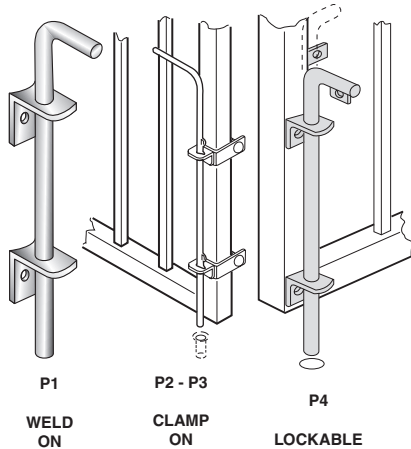
### SELF-CLOSING GATE SPRINGS

Item#	Finish	Qty. Per Sack	PRICE EACH	
			Less Sack	Sack
16680	9" Black	10		
16410	13" Zinc	10		
16411	13" Black	10		

- Weld or screw on installation.



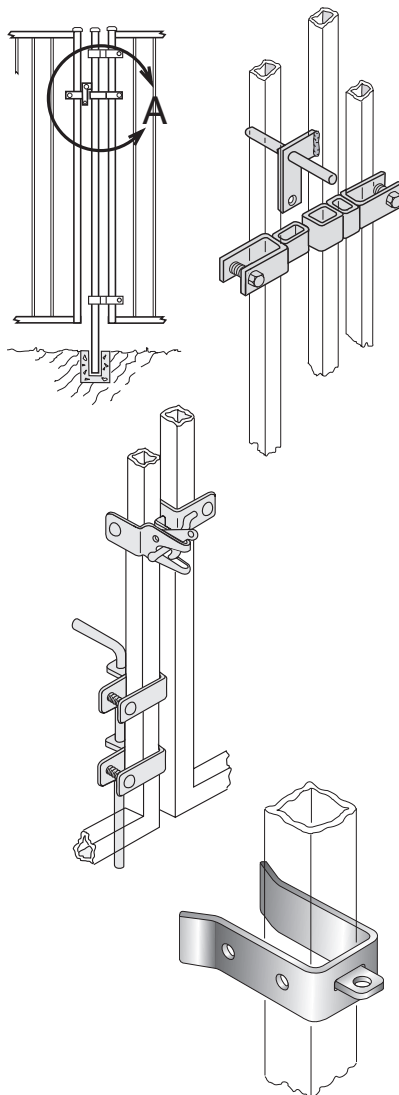
8530 UNSWORTH AVE. SACRAMENTO, CA 95828-1009 1-916-381-4065	13111 DAHLIA ST. FONTANA, CA 92337-6902 1-909-350-9040	8937 SAN FERNANDO RD. SUN VALLEY, CA 91352-1410 1-818-504-3700	1265 N. CUYAMACA ST. EL CAJON, CA 92020-1549 1-619-449-0333	10010 PORTLAND AVE. TACOMA, WA 98445-3956 1-253-535-5500
---	--	--	---	--



### DROP ROD ASSEMBLIES

Kit#	Item#	Description	PRICE
P1	91130	Drop Rod / Weld on Guides	
P2	91131	Drop Rod w/1" Sq. Clamp on Guides	
P3	91132	Drop Rod w/1 1/2" Sq. Clamp on Guides	
P4	91133	Drop Rod Lockable	

- Kits include cane bolt with (2) clamp on guides or (2) weld on guides and (2) weld on tabs lockable — Lockable uses weld on guides.



### CLAMP-ON DOUBLE DRIVE LATCH ASSEMBLY

Kit#	Item#	Gate Frame	Qty. Per Sack	PRICE EACH	
				Less Sack	Sack
R1	91140	1"	5		
R2	91141	1 1/2"	5		
R3	91142	2"	5		

- Requires 4" clearance between leaves.
- Clamp-on installation only.
- Order 1' higher than gate.

### RESIDENTIAL DOUBLE DRIVE ASSEMBLY

R5	91144	1"
R6	91145	1 1/2"

- Requires 2" clearance between leaves.
- Kit includes:
  - Cane bolt w/guides.
  - Clamp on striker bar.
  - Clamp on receiver.

### INDUSTRIAL SLIDE GATE LATCH

Item#	Qty. Per Sack	PRICE EACH	
		Less Sack	Sack
83339	10		

- Weld on installation only.
- Tab welds to gate frame.
- Includes locking tab.
- Receiver welds or bolts to post / wall.

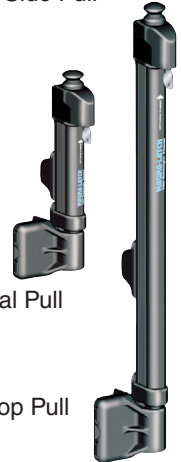
### MAGNA•LATCH®

### MAGNETIC POOL & CHILD SAFETY GATE LATCH

ITEM#	Size (Overall H x W)	Hinge Clearance	Box Wt.	Qty. Per Box	PRICE EACH	
					Less Box	Box
49-MLTPS2BGA <b>Top Pull</b>	20 <sup>1/4"</sup> x 2 <sup>5/8"</sup>	Requires 1/2" - 1 <sup>7/16"</sup> clearance	15.3 lbs.	10		
49-MLVPS2BGA <b>Vertical Pull</b>	7 <sup>1/4"</sup> x 2 <sup>5/8"</sup>	Requires 1/2" x 1 <sup>7/16"</sup> clearance	11 lbs.	10		
49-MLSPS2 <b>Side Pull</b>	2 <sup>3/4"</sup> x 4"	Requires 5/16" - 3/8" clearance	3.8 lbs.	10		



Side Pull



Vertical Pull

Top Pull

### MAGNA•LATCH®

### ADAPTOR KIT FOR ROUND POST

49-MLS2RPAKA	Adaptor Kit	3 lbs.	10
--------------	-------------	--------	----

### LOKK•LATCH®

### GENERAL-PURPOSE GATE LATCHES — Series 2

### LOCKABLE, PEDESTRIAN & PRIVACY

#### General Purpose

49-LLAA	4 <sup>9/16"</sup> x 1 <sup>1/8"</sup>	Requires 3/8" x 1 <sup>3/8"</sup> clearance	5.5 lbs.	10
---------	--	---	----------	----

- One model suitable for metal, wood and vinyl
- Narrow posts / stiles



#### With External Access Kit

49-LLAAB	4 <sup>9/16"</sup> x 1 <sup>1/8"</sup>	Requires 3/8" - 1 <sup>3/8"</sup> clearance	8 lbs.	10
----------	--	---	--------	----

- Allows gate to be operated from outside the fence
- One model suitable for metal, wood and vinyl
- Narrow posts / stiles



#### Round Post Type

49-LLABRND	9.2 lbs.	10
------------	----------	----

- This model suitable for chain link only
- Push button w/key to lock from both sides
- Requires 1" - 2" clearance
- Narrow posts / stiles



Gate Latches — Super-Strong, Molded Engineering Polymers  
100% Rust Free, Stainless Steel Components, Limited Lifetime Warranty

Call for pricing & availability on all D & D TECHNOLOGIES latches & hinges.

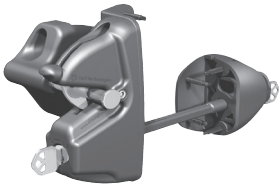
"Most latches & hinges are available in white."

8530 UNSWORTH AVE. SACRAMENTO, CA 95828-1009 1-916-381-4065	13111 DAHLIA ST. FONTANA, CA 92337-6902 1-909-350-9040	8937 SAN FERNANDO RD. SUN VALLEY, CA 91352-1410 1-818-504-3700	1265 N. CUYAMACA ST. EL CAJON, CA 92020-1549 1-619-449-0333	10010 PORTLAND AVE. TACOMA, WA 98445-3956 1-253-535-5500
---	--	--	---	--

## LOKK•LATCH® DELUXE

### HEAVY DUTY

### PRIVACY & SECURITY GATE LATCH



Latch + EAK

ITEM#	Size (Overall H x W)	Latch Clearance	Box Wt.	Qty. Per Box	PRICE EACH Less Box	Box
-------	-------------------------	--------------------	------------	-----------------	------------------------	-----

49-LLDA-K  
**Latch Only**  
4 1/2" x 5 7/8"  
Requires 3/8" - 1 1/2" clearance  
11.5 lbs. 6

49-LLDAB-K  
**Latch + EAK  
(External Access Kit)**  
4 1/2" x 5 7/8"  
Requires 3/8" - 1 1/2" clearance  
14 lbs. 6

- Rekeyable lock
- Locks & unlocks independently
- Works on wood, metal & vinyl



## LOKK•LATCH PRO® SELF LOCKING

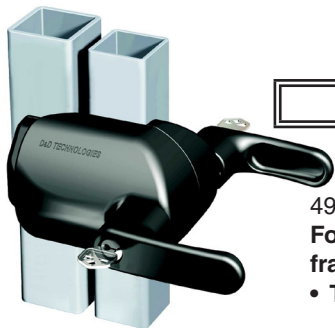
### COMMERCIAL GRADE

### SECURITY GATE LATCH

49-LLP1S-K  
**Metal & Wood**  
4 1/2" x 6 3/4"  
Requires 1/2" - 1 1/2" clearance  
18 lbs. 6

49-LLP2S-K  
**For Vinyl**  
4 1/2" x 6 3/4"  
Requires 1/2" - 1 1/2" clearance  
14 lbs. 6

- Rekeyable lock
- Automatically locks when closed
- Commercial grade latch
- Key required to open



Fence  
Post Gate  
Frame

## Z•LOKK™

### MAGNETIC GATE LOCK

Ideal for "Picket-Style" Fencing

49-ZL1-K  
**For most metal gate  
frames up to 1 5/8"**  
7 1/2" x 7 7/8"  
Requires 3/8" - 1 1/4" clearance  
17 lbs. 10

- This model suitable for only metal
- Narrow posts / stiles

49-ZL2-K  
**For larger metal gate  
frames up to 2 1/2"**  
7 1/2" x 7 7/8"  
Requires 3/8" - 1 1/4" clearance  
19 lbs. 10

- This model suitable for only metal
- Narrow posts / stiles

**Gate Latches — Super-Strong, Molded Engineering Polymers  
100% Rust Free, Stainless Steel Components, Limited Lifetime Warranty**

Call for pricing & availability on all D & D TECHNOLOGIES latches & hinges.  
"Most latches & hinges are available in white."

**TRU-CLOSE®** ADJUSTABLE, SELF-CLOSING GATE HINGE

Regular & Heavy Duty Range — Tension Adjustable, Self-Closing — Price per pair

ITEM#	Size (Overall H x W)	Hinge Clearance	Box Wt. lbs.	Qty. Per Box	PRICE / PAIR Less Box Box
-------	-------------------------	--------------------	-----------------	-----------------	------------------------------

**REGULAR RANGE — Residential**

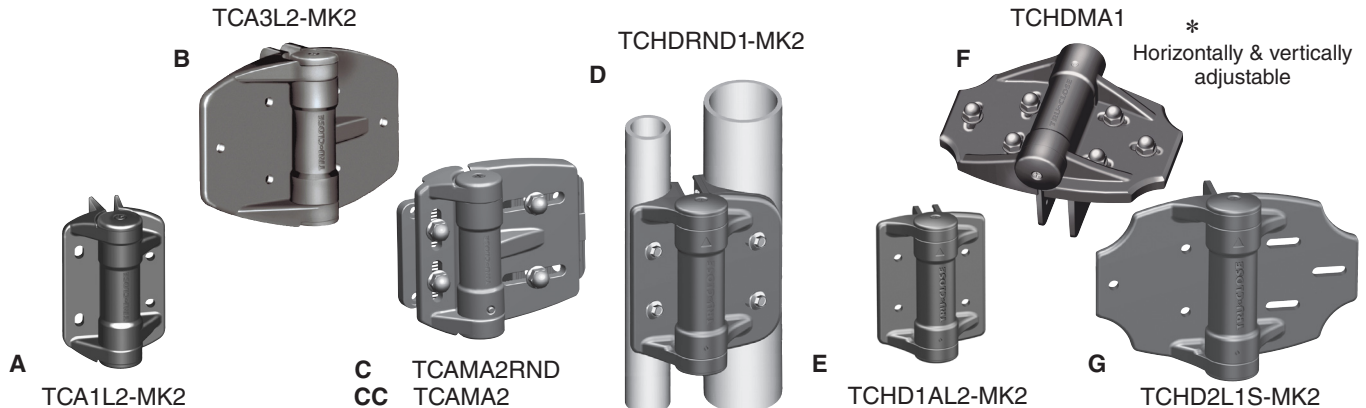
Gates up to 55 lbs., pair of hinges up to 550 point load.

<b>A</b>	49-TCA1-MK2	2 1/2" x 3 13/16"	3/4"	2.9	10
	49-TCA1L2-MK2	2 1/2" x 3 13/16"	3/4"	2.9	10
	49-TCA1L2WT-MK2	2 1/2" x 3 13/16"	3/4"	2.9	10
<b>For Metal</b>					
<b>B</b>	49-TCA3L2-MK2	3 3/4" x 5 1/4"	3/4"	3.8	10
	<b>For Wood / Vinyl</b>				
<b>C</b>	49-TCAMA2RND	3 3/4" x 4"	3/4" - 2"	6.2	10
	<b>For Round-Post Chain Link</b>				
<b>CC</b>	49-TCAMA2	3 3/4" x 4"	3/4" - 2"	6.2	10
	<b>For Square-Post</b>				

**HEAVY DUTY RANGE — Residential/Commercial**

Gates up to 132 lbs., pair of hinges up to 1,000 point load.

<b>D</b>	49-TCHDRND1-MK2	4 3/4" x 5"	3/4" - 1 3/8"	9.8	10
	<b>For Heavy Duty Round-Post Chain Link</b>				
<b>E</b>	49-TCHD1AL2-MK2	5" x 3 1/2"	3/4"	6.8	10
	<b>For Metal</b>				
<b>*F</b>	49-TCHDMA1	5" x 6 7/8"	3/4"	6.5	10
<b>G</b>	49-TCHD2L1S-MK2	5" x 7"	3/4"	6.5	10
	<b>For Large Wood / Vinyl Gates</b>				



**Hinges — Super-Strong, Molded Engineering Polymers**  
100% Rust Free, Stainless Steel Components, Limited Lifetime Warranty

Call for pricing & availability on all D & D TECHNOLOGIES latches & hinges.  
"Most latches & hinges are available in white."

8530 UNSWORTH AVE. SACRAMENTO, CA 95828-1009 1-916-381-4065	13111 DAHLIA ST. FONTANA, CA 92337-6902 1-909-350-9040	8937 SAN FERNANDO RD. SUN VALLEY, CA 91352-1410 1-818-504-3700	1265 N. CUYAMACA ST. EL CAJON, CA 92020-1549 1-619-449-0333	10010 PORTLAND AVE. TACOMA, WA 98445-3956 1-253-535-5500
---	--	--	---	--

**KWIK•FIT®**
**GENERAL-PURPOSE GATE HINGE — Price per pair**

ITEM#	Size (Overall H x W)	Hinge Clearance	Box Wt.	Qty. Per Box	PRICE / PAIR Less Box	Box
49-KFP <b>Plain Pivoting</b>	3 1/4" x 4 1/4"	3/4"	2 lbs.	10		
49-KFS <b>Fixed Tension</b>	3 1/4" x 4 1/4"	3/4"	2.5 lbs.	10		
49-KFA <b>Tension Adjustable</b>	3 1/4" x 4 1/4"	3/4"	2.5 lbs.	10		



- Not self-closing
- No spring
- Plain pivoting



- Self-closing
- Fixed tension
- Stainless steel spring



- Self-closing
- Adjustable tension
- Stainless steel spring

Maximum load per pair of hinges is 375 lbs.

**GATE•HANDLE™**
**ERGONOMIC, REVERSIBLE GATE HANDLE**

ITEM#	Size Color	Box (Overall H x W)	Qty. Per Wt.	Box	PRICE EACH Less Box	Box
49-LLHBG	Black	1 3/4" x 5"	.5 lbs.	10		
49-LLHBGWT	White	1 3/4" x 5"	.5 lbs.	10		


**GATE•STOP™**
**SOFT & QUIET GATE-STOP**

49-TCGS1	Black	5 1/4" x 4 3/4"	3 lbs.	10		
49-TCGS1WT	White	5 1/4" x 4 3/4"	3 lbs.	10		
<b>Vinyl (PVC) Gates</b>						
49-TCGS2	Black	3 5/8" x 4 3/4"	2.5 lbs.	10		
49-TCGS2WT	White	3 5/8" x 4 3/4"	2.5 lbs.	10		
<b>Wooden Gates</b>						
49-TCGS3	Black	2 1/2" x 3 5/8"	1 lbs.	10		
49-TCGS3WT	White	2 1/2" x 3 5/8"	1 lbs.	10		
<b>Metal Gates</b>						

TCGS1



TCGS2

TCGS3

**LOKK•BOLT®**
**LOCKABLE, SECURITY DROP BOLT — KSA Model For Metal,**

Wood & Vinyl. Locks in the UP or DOWN Position and is Rekeyable

49-LB118BX	Black	18" x 4 1/8"	14.5 lbs.	6		
49-LB118BXWT	White	18" x 4 1/8"	14.5 lbs.	6		
49-LB124BX	Black	24" x 4 1/8"	19.5 lbs.	6		
49-LB124BXWT	White	24" x 4 1/8"	19.5 lbs.	6		



Hinges & Accessories — Super Strong, Molded Engineering Polymers  
100% Rust Free, Stainless Steel Components, Limited Lifetime Warranty

Call for pricing & availability on all D & D TECHNOLOGIES latches & hinges.  
"Most latches & hinges are available in white."