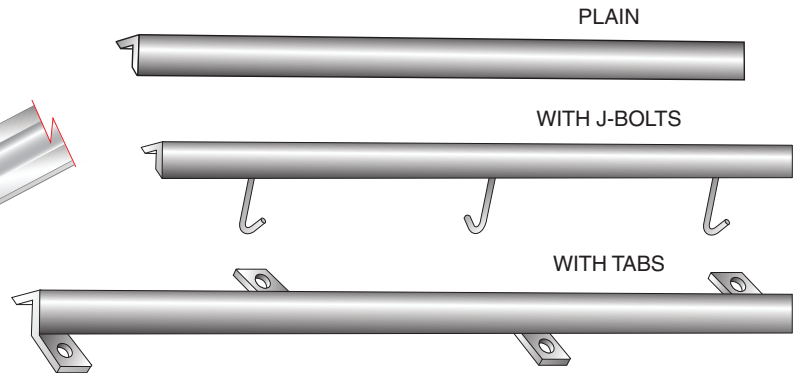
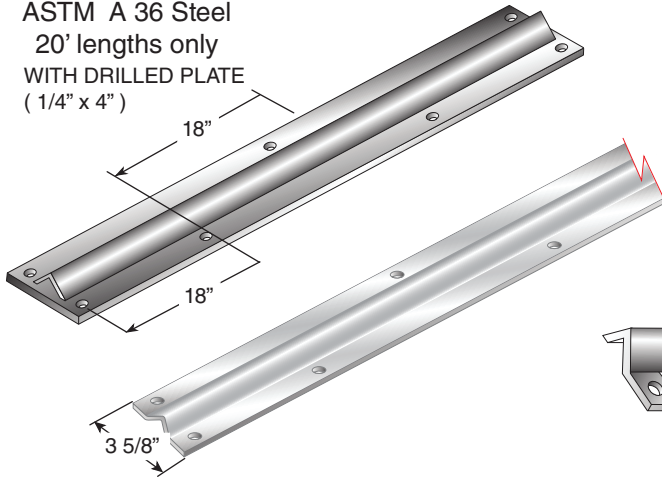


ASTM A 36 Steel  
20' lengths only  
WITH DRILLED PLATE  
(1/4" x 4")

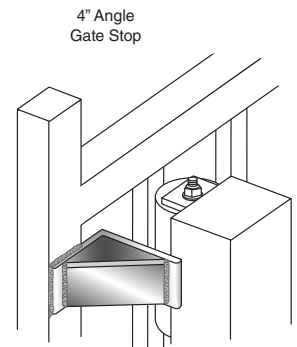
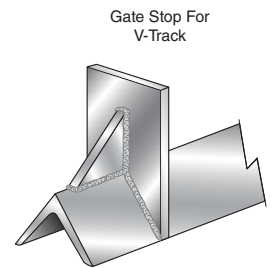


### GALVANIZED V-TRACK — FOR USE WITH V-GROOVE WHEEL PAINTED V-TRACK AVAILABLE BY SPECIAL ORDER

Item#	Style	Angle Size	Price	
			0 - 8	8 and up
83561-G	Plain	1 1/2" x 1 1/2" x 3/16"		
83575-G	With J-Bolts	1 1/2" x 1 1/2" x 3/16"		
83576-G	With Tabs	1 1/2" x 1 1/2" x 3/16"		
83577-G	On 1/4" x 4" Plate	1 1/2" x 1 1/2" x 3/16"		
83574-G	With J-Bolts	2" x 2" x 1/4"		
<b>All above with hot dip galvanized finish.</b>				
83577-GT	12ga. G-90 Formed Plate with 7/16" holes			

- J-bolts or tabs are positioned every 18" on alternate sides of V-track.
- Tabs have holes drilled for mounting.
- When using 1/4" x 4" plate, 1/2" holes are drilled every 18" in alternate positions for anchor bolts.
- Please specify the style required when ordering.
- Available in 20' lengths only.

83339-30 Gate Stop for V-Track, Zinc Plated  
83339-10 4" Angle Gate Stop with Gusset (mount to gate)

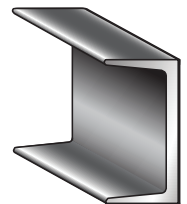


### CHANNEL TRACK — FOR USE WITH CHANNEL TRACK WHEEL

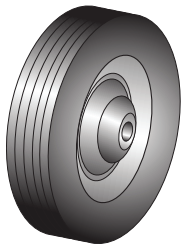
Item#	Description	Per 20' length
-------	-------------	----------------

15101 1" x 2" x 3/16" (Galvanized)

- Channel track can be welded on or bolted on.
- Available in 20' lengths only.
- (See page 6 for spacers.)

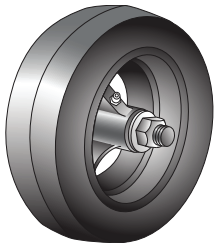


8530 UNSWORTH AVE. SACRAMENTO, CA 95828-1009 1-916-381-4065	13111 DAHLIA ST. FONTANA, CA 92337-6902 1-909-350-9040	8937 SAN FERNANDO RD. SUN VALLEY, CA 91352-1410 1-818-504-3700	1265 N. CUYAMACA ST. EL CAJON, CA 92020-1549 1-619-449-0333	10010 PORTLAND AVE. TACOMA, WA 98445-3956 1-253-535-5500
---	--	--	---	--



### RUBBER GROUND WHEEL — BALL BEARING ( P. S. HUB )

Item#	Size	Sack Qty.	Sack Wt.	Price Each	
				Less Sack	Sack
14702	6" x 5/8" Axle	6	12 lbs.		
14704	8" x 5/8" Axle	6	18 lbs.		



### EVERLAST RUBBER WHEEL

Tested to Exceed 5,000 lbs. — 2" Tire width

14752	6" x 5/8" Axle	5	18 lbs.
14754	8" x 5/8" Axle	5	20 lbs.



### V-GROOVE WHEEL — IRON

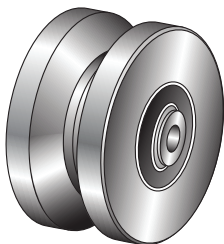
With Steel Roller Bearing — Includes Axle

14718	4" x 1/2" Axle	1 1/2" width	4	20 lbs.
14705	4" x 1/2" Axle	2 1/2" width	4	20 lbs.
14706	6" x 1/2" Axle	2 1/2" width	4	28 lbs.
*14707	8" Diameter	3 1/4" width	4	38 lbs.

\*( 1" axle not included )

14706-DEL	6" x 5/8" Axle	2 1/2" width	4	27 lbs.
-----------	----------------	--------------	---	---------

With Delrin Bushing — Tested to Exceed 3,500 lbs. — Includes 5/8" Axle.

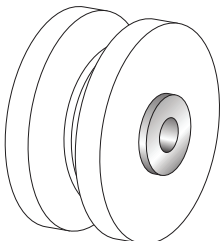


### V-GROOVE WHEEL — SOLID STEEL

14706-10	6" Solid Steel Wheel	4	
	<b>4,000 lb. capacity each wheel</b>		
14706-EL	6" Solid Steel Power Wheel	4	
	<b>5,000 lb. capacity each wheel</b>		
14705-10	4" Solid Steel Power Wheel	4	
	<b>3,000 lb. capacity each wheel</b>		

Solid Steel Wheels are designed to be maintenance free on continuous duty applications.

- 4" wheel includes two - 2" sealed bearings with 1" axle and one 1/2" x 3.25" bolt with nut.
- 6" wheel includes two - 2.5" sealed bearings with 1.18" axle and one 5/8" x 3.25" bolt with nut.



### V-GROOVE NYLON WHEEL

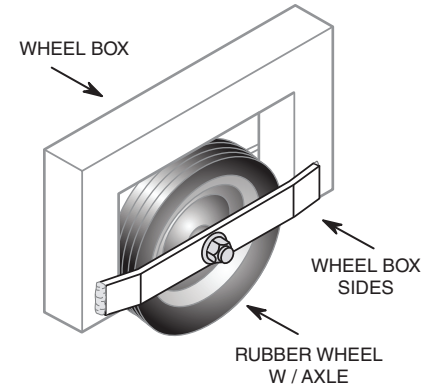
14692	4" Diameter	4	
-------	-------------	---	--

Recommended on light weight gates for quiet operation.  
1/2" diameter axle with lubricated brass bushing.

### COMPLETE WHEEL ASSEMBLY

Item#	Description	Price Each	
		Qty. Per Sack	Less Sack Sack
83362	6" w/ 5/8" Axle	4	
83364	8" w/ 5/8" Axle	4	
83366	Box Sides only (set of 2)		

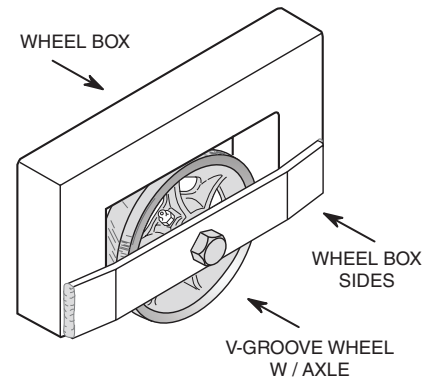
- Wheels available as complete assembly, wheel only, sides only.
- Specify 1/2" or 5/8" axle size when ordering wheel only.
- Complete assembly is designed for weld on application only.
- Specify 1 1/2" or 2" frame size when ordering assembly.



### COMPLETE WHEEL ASSEMBLY

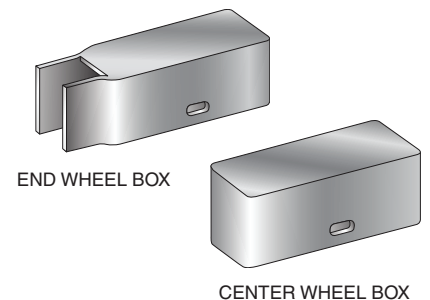
83369	6" Wheel Assembly Includes V-Groove wheel # 14706	4	
83366	Box Sides only (set of 2)		

- Complete assembly is designed for weld on application only.
- Specify 1 1/2" or 2" frame size when ordering assembly.



### WHEEL BOX FOR 2" x 4" BOTTOM RAIL

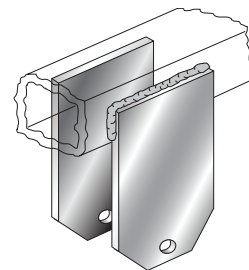
83374E	End Wheel Box 6" x 5/8" axle	4	
83374C	Center Wheel Box 6" x 5/8" axle	4	



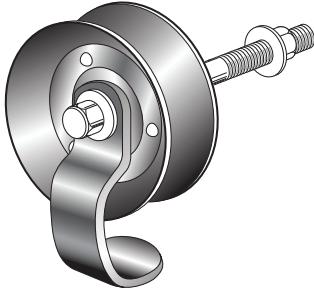
### WHEEL PLATE — (PAIR)

83367-10	Wheel Plates	4	
----------	--------------	---	--

- Sold in pairs. The wheel plates are 3/16" x 3 1/2" x 6" with a 1/2" dia. hole and made for welded applications



### SAFETY PIPE TRACK WHEEL — PRESSED STEEL, WITH 6" BOLT



Item#	Qty. Per Sack	Sack Weight	Price Each Less Sack	Sack
-------	---------------	-------------	----------------------	------

14810                      10                      30 lbs.

- For use with 1 5/8" pipe track.
- See page 6 for clamp on brackets.
- This 5" Track Wheel is designed for clamp-on applications and clamp-on brackets must be utilized.

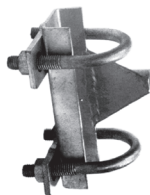


Pressed Steel  
with Delrin Bushing

### 5" (PRESSED STEEL) TRACK WHEEL

14800-DEL                      10                      23 lbs.

- Pipe track roller with retainer.



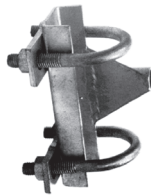
Double Bracket

14812-DEL                      10                      26 lbs.

- Double Bracket only ( UNIVERSAL ).

### 5" (GALVANIZED IRON) TRACK WHEEL WITH DOUBLE BRACKET — Item# 14812-DEL

14811-DEL                      10                      53 lbs.



Galvanized Iron  
with Delrin Bushing

Is sold as a set only

### CANTILEVER ROLLERS & COVERS

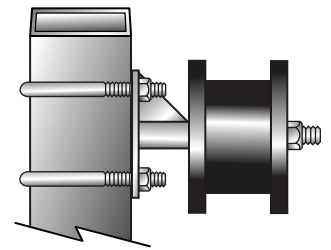
- Wheel covers required for all cantilever wheels.  
— Sold separately —

#### CANTILEVER HARDWARE WITH NYLON ROLLERS

Item#	Style	Qty. Per Sack	Sack Weight	Price Each	
				Less Sack	Sack

14714-RND	4" round post x 2" square frame	8	44 lbs.		
14714-SQ	4" square post x 2" square frame	8	44 lbs.		

- Hot-dipped galvanized chassis / Graphite impregnated nylon cantilever gate roller.
- Fits 2" square tubing and is shown with 4" square mount.
- 2,200 lbs. rating.



#### CANTILEVER ROLLER COVERS



14722-10F



14722-10H

PolyPlastic	14722-10F	28	1.5 lbs.		
-------------	-----------	----	----------	--	--

Fits 14714-RND and 14714-SQ above

Covers for square gate frame would require some cutting "out" since the covers are all for round gate frames.

Plastic Cover	14722-10H	16	1.5 lbs.		
---------------	-----------	----	----------	--	--

With pressed steel bracket  
Fits 14716-10F and 14711-15, and 2 7/8" & 4" galvanized iron wheels

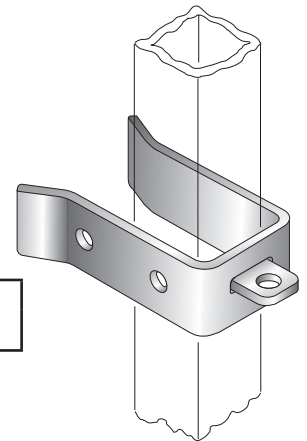
- Polyethylene plastic with UV inhibitors or pressed steel.
- Adjustable cover and adapts to most cantilever wheels.

#### INDUSTRIAL SLIDE GATE LATCH

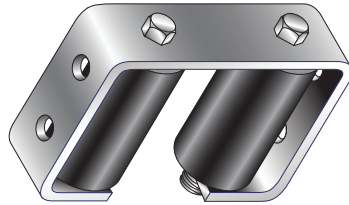
Item#	Qty. Per Sack	PRICE EACH	
		Less Sack	Sack

83339	10		
-------	----	--	--

- Weld on installation only.
- Tab welds to gate frame.
- Includes locking tab.
- Receiver welds or bolts to post / wall.



### TYPE I — SLIDE GATE ROLLER ASSEMBLY



Item#	Style	Qty. Per		Price Each	
		Sack	Less Sack	Sack	Sack

83559	TYPE I * w/Bronze Bushing	6			
-------	------------------------------	---	--	--	--

TYPE II \*\*



### TYPE II — SLIDE GATE ROLLER ASSEMBLY

Item#	Style	Qty. Per Sack	PRICE PER SET	
			Less Sack	Sack
83580	4" Black w/Bronze Bushing	6		
83558-10	6" Black w/Ball Bearings	6		
83580-12B	12" Black w/Ball Bearings	6		
83580-12C	12" Clear w/Ball Bearings	6		

\* TYPE I: For use on Regal, Empire, and Napoleon style gates.

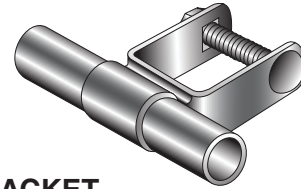
\*\* TYPE II: For use on Aristocrat, Guardian, Modern and all style gates.

Slide gate roller assemblies are designed for use on gates manufactured with:

- V-Groove wheels located at both ends of the gate.
- Larger gates may require two (2) slide gate roller assemblies.
- Weld on or bolt on installation.
- Refer to roller assembly style gate pages in the

FENCING & GATE section for installation detail.

### TRACK BRACKET



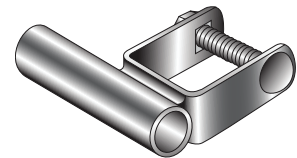
Item#	Style	Qty. Per		Price Each	
		Sack	Less Sack	Sack	Sack

83553	2"	20			
83554	2 1/2"	20			
14907	Flat Wall	10			

- Used for attaching pipe track to fence line.
- Refer to post size when ordering.

### CLAMP-ON BRACKET

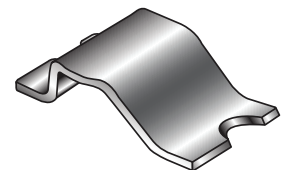
83555	1 1/2"	25			
83556	2"	25			



### TRACK SPACER FOR CHANNEL BRACKET

15001	All Sizes	25			
-------	-----------	----	--	--	--

- Used to space channel track away from mounting surface.
- Weld on or use U-bolt for track installation.
- Use one track spacer at every mounting point.



### BFC BOTTOM TRACK CANTILEVER GATE SYSTEM

#### BFC SYSTEM COMPONENTS — MEDIUM

Item#	Sample	Description	Each Gate Requires	Price Each
146323.6	C	Medium Track, 20' Galv	1 or more	
146301.8M	D	Medium 8 Wheel Support Roller	2	
14727-16	F	1/2" x 16" Galv L Bolt W/Nut & Washer	8	
146310.M	A	Cantilever Gate Limit Stop Medium	1 or 2	
146307.M	H	End Cap With Wheel	1 or 2	
146309.M	B	Steel Cap For Medium Track	1 or 2	
83580	G	BFC Type II (OH Roller Set)	2	

236" long track sold in FULL LENGTHS ONLY\*  
24 foot maximum opening  
1,200 lbs maximum load  
All items are galvanized steel

#### BFC SYSTEM COMPONENTS — LARGE

Item#	Sample	Description	Each Gate Requires	Price Each
147328.6	C	Large Track, 20' Galv	1 or more	
147301.8L	D	Large 8 Wheel Support Roller	2	
14728-16	F	5/8" x 16" Galv L Bolt W/Nut & Washer	12	
14726-TGP	E	(Optional) Ground Plate	2	
147310.L	A	Cantilever Gate Limit Stop Large	1 or 2	
147307.L	H	End Cap With Wheel	1 or 2	
147309.L	B	Steel Cap For Large Track	1 or 2	
83580	G	BFC Type II (OH Roller Set)	2	

236" long track sold in FULL LENGTHS ONLY\*  
33 foot maximum opening  
2,200 lbs maximum load  
All items are galvanized steel

#### BFC SYSTEM COMPONENTS — XTRA LARGE

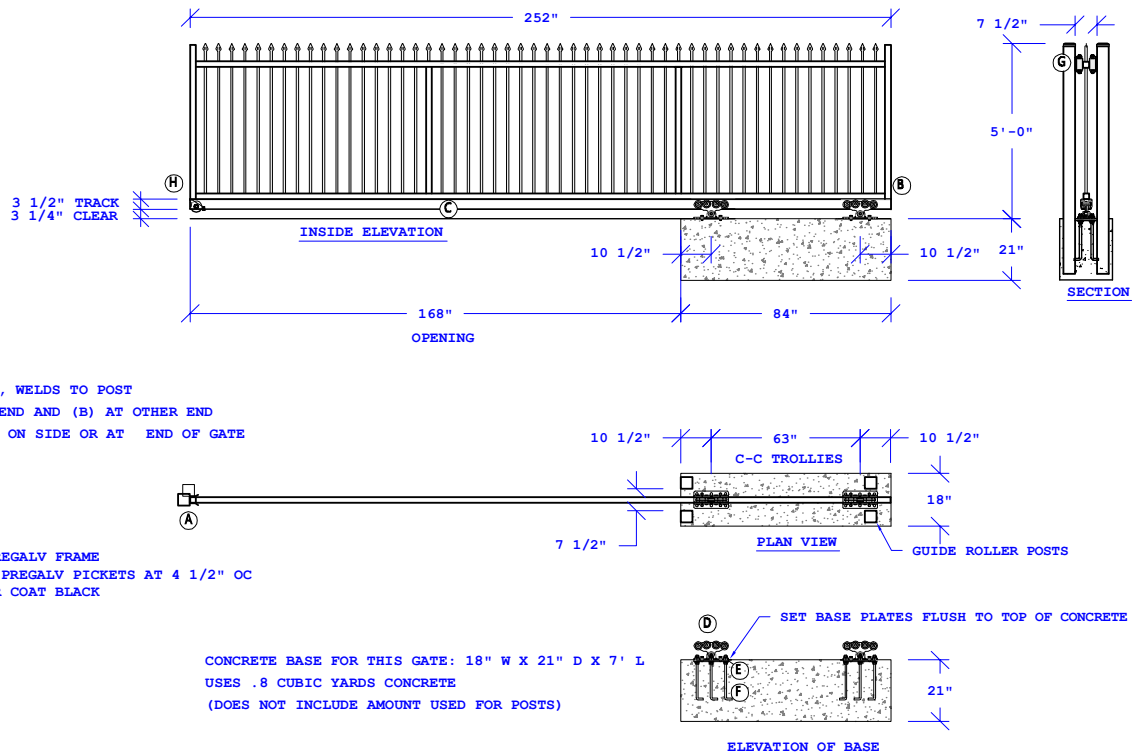
Item#	Sample	Description	Each Gate Requires	Price Each
148333.6	C	Xtra Large Track, 20' Galv	1 or more	
148301.8XL	D	Xtra Large 8 Wheel Support Roller	2	
14729-M20	F	3/4" x 16" Galv L Bolt W/Nut & Washer	12	
14729-TGP	E	(Optional) Ground Plate	2	
148310.XL	A	Cantilever Gate Limit Stop XL	1 or 2	
148307.XL	H	End Cap With Wheel	1 or 2	
148309.XL	B	Steel Cap For XL Track	1 or 2	
83580	G	BFC Type II (OH Roller Set)	2	

236" long track sold in FULL LENGTHS ONLY\*  
55 foot maximum opening  
4,400 lbs maximum load  
All items are galvanized steel

147301.8LAV		Conversion kit for large support roller to fit Piccolo track	2	
146304.M73		2 7/8" OD post clamp on mounting bracket for medium support roller	2	
147304.8L102		4" OD round post clamp on mounting bracket for large support roller	2	
147304.8L102Q		4" square post clamp on mounting bracket for large support roller	2	

**FOR THE PLACEMENT OF THE SYSTEM COMPONENTS  
SEE THE DRAWING ON THE FOLLOWING PAGE**

### BFC BOTTOM TRACK CANTILEVER GATE SYSTEM



BUILDERS FENCE COMPANY	CONTRACTOR:	PROJECT:
DATE 10/24/12 J. FORREST	SCALE:	DETAIL: ARISTOCRAT CANTILEVER GATE
		DWG NO. BFC-XXX

- (A) Receiver Cup
- (B) End Cap
- (C) Cantilever Bottom Track \*
- (D) Cantilever Gate Trolley
- (E) (Optional) Trolley Ground Plate
- (F) Hook Bolts
- (G) BFC Type II (O.H. roller set)
- (H) End Cap With Wheel

8530 UNSWORTH AVE. SACRAMENTO, CA 95828-1009 1-916-381-4065	13111 DAHLIA ST. FONTANA, CA 92337-6902 1-909-350-9040	8937 SAN FERNANDO RD. SUN VALLEY, CA 91352-1410 1-818-504-3700	1265 N. CUYAMACA ST. EL CAJON, CA 92020-1549 1-619-449-0333	10010 PORTLAND AVE. TACOMA, WA 98445-3956 1-253-535-5500
---	--	--	---	--